



The **NexLED** bulkhead delivers an instant bright white light. Designed for low profile applications, the bulkhead can be mounted on walls, handrails and ceilings making it ideal for walkways or restricted height areas. Its excellent temperature range of -45°C to +55°C makes it a global lighting solution providing high quality lighting at extreme temperatures. Green LED option is also available.

The **NexLED emergency** option provides emergency battery backup to ensure continued operation in the event of a power outage. Benefits from the same features as the standard NexLED and is also available as a low temperature version for operation down to -45°C.

Mounting Options

- Ceiling
- Wall
- Recessed
- Pole/Stanchion
- Bulkhead



Standard Specification

NexLED Ex e LED bulkhead

Type of Protection	Ex e mb (Increased Safety, Encapsulation)
ATEX Classification	Group II Category 2 GD
Area Classification	Zone 1 and Zone 21 areas to EN 60079-10-1 and EN 60079-10-2 with installation to EN 60079-14
Certificate	EC Type Examination Certificate Baseefa04ATEX0245 IECEX Certificate of Conformity IEC Ex BAS09.0062
Coding	Ex e ib mb IIC T4 Ex e mb IIC Ex e tb IIIC T95°C Db IP6X Ex de IIC T4 (ATEX ONLY)**
Enclosure	Aluminium LM6 body, RAL-9005 black epoxy paint finish with toughened glass and silicone gasket
Reflector	Brushed aluminium
Entry	3 x M20 cable entries
Termination	3 core 4mm ² max conductor with looping
Installation	Surface mounted, 4 mounting holes located outside seal
Control Gear	Electronic Driver
Colour Temperature (CCT)	4100K (Neutral White)
Maintenance	M6 Slotted Screws
Battery	Internal Ni-Cd (4.2V) (Emergency only)
Emergency Duration	801 version = 90 mins, 201 version = 3 hours (100% output)
Ingress Protection	IP66/67 to EN 60529
Surge Protection	4KV
Electrical Supply	110-254V AC/DC 50/60HZ

Features

- ◆ Installation to gas groups **IIA, IIB and IIC**
- ◆ Highly visible, **instant light**
- ◆ **Easy to install and maintain**
- ◆ **Ultra long life, no re-lamping required**
- ◆ Over **60,000 hours*** continuous operation
- ◆ Very low **power consumption**
- ◆ Highly **Energy Efficient**

* 60,000 hours expected at 40°C ambient (L70/B10)



LED SOLUTIONS
For Harsh & Hazardous Locations



Product design and specifications are subject to change without notice. Please check the Chalmit website for latest specifications. www.chalmit.com

Std. Cat No.	Delivered Output	Power Consumption	TClass	T°C (Dust)	Ambient °C	Weight
NELE/201/LE	123 lm	6W	T4	95	-45 to +55	4.0kg
NELE/401/LE/24**	247 lm	8W	T4	95	-45 to +55	4.1kg
NELE/801/LE	494 lm	15W	T4	95	-45 to +55	4.1kg
NELE/201/LE/EM	125 lm	6W	T4	95	-20 to +55	4.7kg
NELE/801/LE/EM	494 lm	15W	T4	95	-20 to +55	4.7kg

Note: ** 24V Supply is for ATEX only

Options - Suffix to Catalogue No.			
/GDE	Green LED's	/LT	Low temperature to -45° (Emergency)

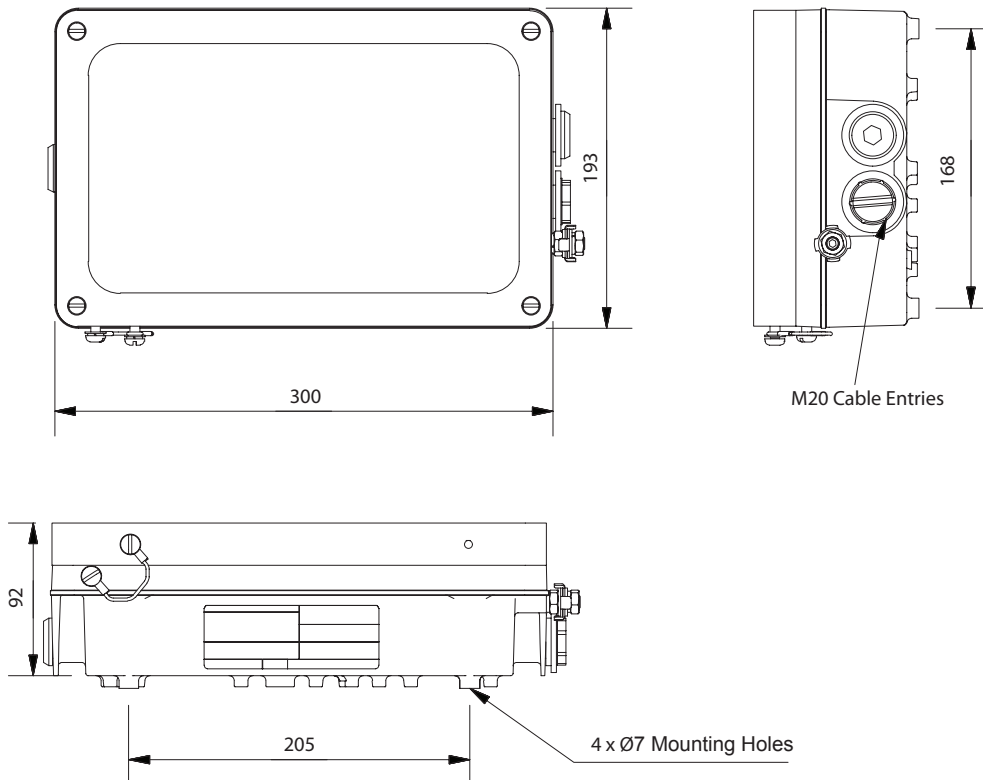


MADE IN BRITAIN

Accessories *Accessories should be ordered separately*

	Order Code
Exit sign kit (supplied with up, down, left and right labels*)	SNEL1-0008

*Other signage options available upon request, please contact Chalmit® sales.



LED SOLUTIONS
 For Harsh & Hazardous Locations



Harsh & Hazardous